

## malibu shelf



### **description**

Malibu doesn't recede into the wall like most shelving units tend to do. Its structural form and materiality are wildly bold, with watercoloured metal podiums folded at an asymmetrical angle and a boot-cut flare at the base for solid footing. Four wooden shelves are slotted into designated brackets, but the podiums can be positioned as close or far apart as desired.

Keyholes at the top enable the unit to be secured to the wall. Abd's suggested configuration is a series of three podiums paired with seven-foot-long wooden shelves.

Made to order and handcrafted in Toronto

### **dimensions**

podium

height: 72" (183cm)

top: 3.5 w x 7" d (8.9 x 17.8cm)

bottom: 4.5 w x 10" d (11.4 x 25.4cm)

shelf

height: 2.5" (7cm)

width: 42" (107cm)

depth: 11" (28cm)

### **wood finishes**



flat sawn  
douglas fir  
sky grey



flat sawn  
douglas fir  
charcoal



rift sawn  
white oak  
white

### **metal finishes**



steel



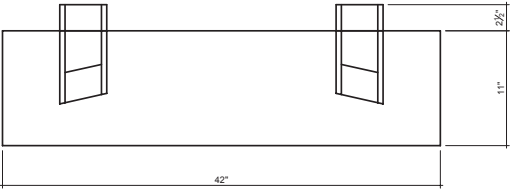
copper

### **shipping and delivery**

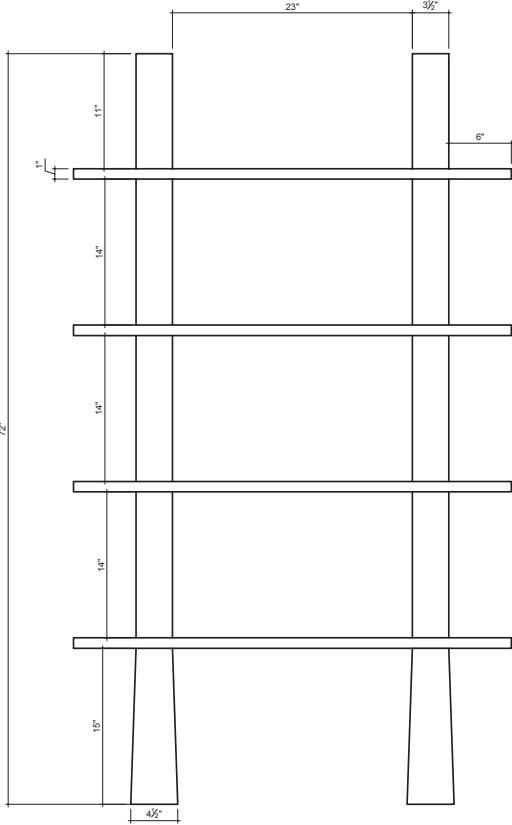
This item is custom made to your exact needs. Typically, it will be ready to ship within 16 to 18 weeks after purchase.

ASHLEY  
BOTTEN  
DESIGN

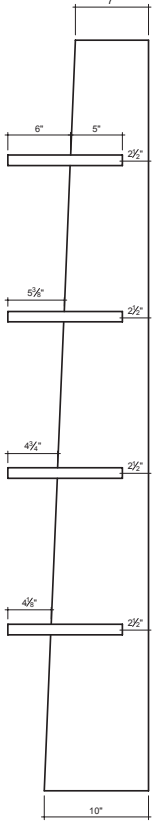
# malibu shelf



PLAN VIEW



FRONT VIEW



SIDE VIEW

72 stafford street, suite 100 . toronto, ontario m6j 2r9  
416.203.9363 . concierge@ashleybottendesign.com

[ashleybottendesign.com](http://ashleybottendesign.com)