

ASHLEY
BOTTEN
DESIGN

rosey stool



description

Rosey is like a piece of functional art – an object to admire as well as sit on. Its square seat pad is secured to a wooden bracket, and both are mounted to a cross-shaped base that gently tapers inward to meet the floor. Imagine the upholstery options that could make every iteration of this chunky perch entirely unique. The wooden base, available in oak, walnut or Douglas fir, is flat-sawn to reveal the grain at its most dramatic.

Made to order and handcrafted in Toronto

dimensions

height: 15.5" (39cm)
width: 14.38" (37cm)
depth: 14.38" (37cm)

c.o.m requirements

1.2yds (5.5m)

wood finishes



douglas fir
flatsawn
sky grey



douglas fir
flatsawn
charcoal



white oak
flatsawn
nordic



walnut
flatsawn
white



white oak
flatsawn
mist

fabrics



copper
tweed



ecrú
natural/eco



nuance
wool/linen



terra
alpaca

shipping and delivery

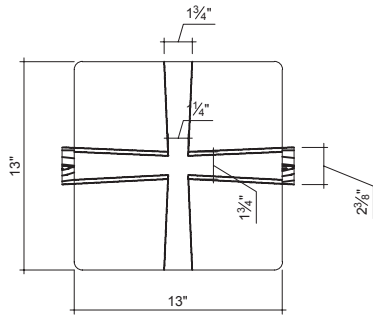
This item is custom made to your exact needs. Typically, it will be ready to ship within 10 to 12 weeks after purchase.

72 stafford street, suite 100 . toronto, ontario m6j 2r9
416.203.9363 . concierge@ashleybottendesign.com

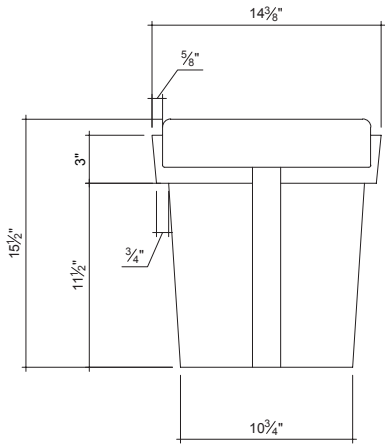
ashleybottendesign.com

ASHLEY
BOTTEN
DESIGN

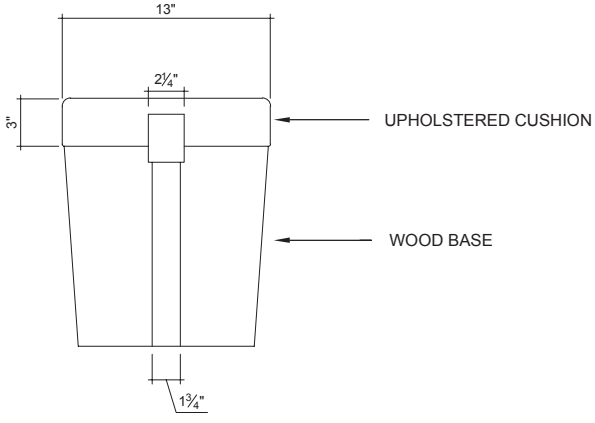
rosey stool



PLAN



FRONT



SIDE

72 stafford street, suite 100 . toronto, ontario m6j 2r9
416.203.9363 . concierge@ashleybottendesign.com

ashleybottendesign.com